



TELEBELT® TB 130 | TELESCOPIC BELT CONVEYOR





# A NEW STANDARD OF INNOVATION AND EXCELLENCE

## IDEAL FOR COUNTLESS APPLICATIONS WORLDWIDE

Strong, yet lightweight and easy to control, the Putzmeister Telebelt® TB 130 saves you both time and labor. The five-section boom and fully hydraulic conveyor handle concrete slumps from 0 to 12 inches and materials ranging from sand to 4-inch rock. Plus, smart outrigger design gives you quick setup in congested areas

and rough terrain. The TB 130 is ideal for mat pours, backfill, bridge decks, slope paving, retaining walls, slabs, landscaping, dams, environmental projects, tilt-up panels, basements, foundations, footings, and more.



2

## TELEBELT ADVANTAGE



3

### ACCURACY AND SPEED

For accuracy in addition to efficiency, the TB 80, TB 110, TB 130, TBS 130, and MXTB 130 feature 18" (457mm)-wide feeder and main belts. Achieve higher volumes and speeds with the 24" (610mm)-wide belts on the TB 600 and MXTB 600.



4

### QUICK SETUP AND TEARDOWN

Quick setup and teardown, as well as the ability to place material at high volumes, enable you to complete more jobs in less time and with less manpower. Tedious tasks once requiring multiple trips with other equipment are eliminated.



5

### CONVEYS WITH EASE

Telebelts can perform multiple tasks from a single location, which makes placing concrete effortless. The tough mixes and high volumes that are commonly used to place wind turbine foundations are easily conveyed by a Telebelt.





**PUTZMEISTER | TELEBELT VERSATILITY**

**TELEBELTS MEET YOUR MATERIAL PLACEMENT NEEDS**

The world's only truck-mounted telescopic belt conveyor, the Putzmeister Telebelt is a modern marvel. Able to place countless materials, a Telebelt allows you to efficiently handle multiple tasks on a single job site and countless applications in various setups. The machine saves time and labor with quick setup and cleanup, high volumes and precise material placement.

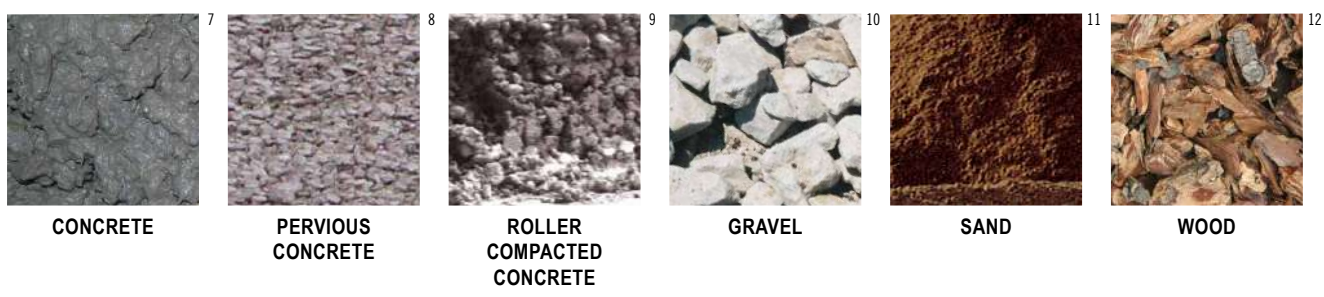
Concrete is just one of many materials that can be efficiently and economically placed with a Telebelt. These machines keep ready mix trucks safely at the curb and help complete pours faster. Conveying also allows for reduced cement and water content which yields a stronger and more cost effective mix. From commercial

and residential to industrial, civil and environmental, the placing possibilities with a Telebelt are limitless. It is the ideal machine to handle special materials required for unique environmental applications that are unsuitable for other equipment.

Need to place gravel and concrete on the same site in the same day? Telebelts can perform multiple tasks from a single location. Have large volumes of a single material to convey in a short amount of time?

Telebelts are ideal for many jobs like flowable fill, land fill lining and wind farm construction. These are just a few applications where a Telebelt is an invaluable asset.

**CONVEYING VERSATILITY – MULTIPLE MATERIALS IN UNLIMITED APPLICATIONS**



CONCRETE

PERVIOUS CONCRETE

ROLLER COMPACTED CONCRETE

GRAVEL

SAND

WOOD

## BOOM

---

- 126' 3" (38.47m) horizontal reach
- Low 15' 4" (4.70m) unfolding height
- Five-section telescopic boom
- Steel/aluminum base with three telescopic high strength aluminum sections
- Single control lever to extend/retract all boom sections
- Maintenance free sealed roller bearings
- Quick telescoping feature
- 360° hydraulic rotation

## BOOM CONTROL & OPERATION

---

- Main conveyor functions controlled by Modular Boom Control (MBC) system
- Single-section maintenance without removing entire valve assembly
- Ergonomic and lightweight standard proportional radio remote control
- Independent belt speed control for main and feed conveyors
- 100' 0" (30m) proportional cable remote
- Manual control backup for all functions

## MAIN CONVEYOR

---

- 18" (457mm) 3-ply nylon cord vulcanized spliced belt
- Maximum observed capacity of 5 cubic yards per minute (4m<sup>3</sup>/min)
- Infinitely variable belt speed control from 0 to 100%
- Spring-tensioned carbide scraper system
- Active independent control of the feed and main conveyor systems

## FEEDER BELT

---

- 38' 0" (11.60m) aluminum independent hydraulic feed conveyor
- 360° hydraulic rotation allowing material to be loaded from any position desired
- 18" (457mm) belt can be fed by a ready mix truck, dump truck, skid-steer loader or front-end loader
- UHMW polyethylene integrated folding feeder hopper handles the toughest mixes
- Spring-tensioned carbide scraper system

## TRUNK/END HOSE

---

- Standard 8" (200mm) and 12" (305mm) reducers – each with 15' 0" (4.57m) end hoses and chain binder oil

## MATERIAL HANDLING

---

- Handles the harshest concrete mix designs at any slump
- No special mix requirements
- Places any type of flowable material

## OUTRIGGERS

---

- Patented outriggers hydraulically telescope out and extend down
- Quick and easy setup in congested areas
- Sets up on solid or rough terrain

## POWER

---

- Driven by two full horsepower rated air shift rear PTO's from the Mack MRU 613 405 hp (302kW) engine
- Low engine RPM and 175 hp (130kW) for reduced fuel costs

## CLEAN OUT

---

- Requires only water to clean
- High pressure 2,500 psi (173 bar) hydraulically-driven pressure washer system
- Large capacity 170 gallon (644L) water tank

## ADDITIONAL STANDARD FEATURES

---

- Aluminum diamond plate deck
- Large side-mounted aluminum toolbox
- High quality paint finish
- Operators manuals and ship-away kit

## AVAILABLE OPTIONS

---

- Rock hopper
- Front-end loader hopper
- Low profile hopper
- Side loading channels
- Custom paint schemes



The PRO-VANTAGE® Warranty Plan extends the coverage on all Putzmeister BSF boom pumps for a total of 36 months or 6,600 hours at no extra charge. Domestic only.





**LOW CLEARANCE PROJECTS**

With extremely low unfolding heights and the ability to be moved rapidly, Putzmeister Telebelts can be set up and operated on jobs with height restrictions such as warehouse slabs. Material can be conveyed long distances in an enclosed structure, under bridges and into limited access structures.



**HANDLES VARIOUS MATERIALS**

In addition to handling aggregates from rock to sand with ease, a Telebelt conveys a multitude of concrete mix designs at high volumes. Corps of Engineers, Federal and State DOT testing proves that Telebelts do not segregate concrete or cause air entrainment or slump loss.



**SAVES TIME & LABOR**

Need to place gravel and concrete on the same site in the same day? Telebelts can perform multiple tasks from a single location. Quick setup and tear down as well as the ability to place material at high volumes enable you to complete more jobs with less manpower. Tedious tasks once requiring multiple trips with other equipment are eliminated.



**PLACEMENT VERSATILITY**

A Telebelt offers a quick way to easily clear obstacles and place material exactly where you want it without the need for all-wheel drive mixer trucks, skid-steer loaders or other equipment. Ideal for maneuvering around a variety of job sites including mat pours, backfilling, tilt-up projects, bridge decks and slab work.



**A CLEAN, EFFICIENT & LOWER COST SITE**

Telebelts do not require priming and all material can be run off the belts eliminating waste. A highly efficient spring-tensioned carbide scraper system helps to keep job sites clean.



**SETUP CONVENIENCE**

An integral part of the feed conveyor, the folding hopper makes setup a breeze. Side panels fold into the feed conveyor and end panels connect with linchpins. The belt can then be easily fed with a ready mix truck from three sides. Optional hoppers are also available for use with a skid-steer loader, front-end loader or coal chute.

## TELEBELT TB 130 SPECIFICATIONS

### Conveyors

Conveyor horizontal reach		
Maximum at 0°	126' 3"	(38.47m)
Maximum at 29°	110' 9"	(33.74m)
Conveyor belt width	18"	(457mm)
Feed conveyor length	38' 0"	(11.60m)
Feed conveyor belt width	18"	(457mm)
Trunk/end hose length	15' 0"	(4.57m)
Discharge height from grade		
Maximum at 30°	68' 3"	(20.81m)
Maximum at -15°	-25' 10"	(-7.86m)
Main & feed conveyors		
Observed capacity at 0°	5.00 yd <sup>3</sup> /min	(4.00m <sup>3</sup> /min)
Observed capacity at 20°	5.00 yd <sup>3</sup> /min	(4.00m <sup>3</sup> /min)

### Outriggers

Net reach beyond outriggers —		
at 0°	120' 9"	(36.81m)
at 29°	105' 0"	(31.99m)
Outrigger spread L - R — front hydraulic extended out/down	27' 9"	(8.46m)
Outrigger spread L - R — rear hydraulic extended out/down	29' 0"	(8.84m)
Outrigger spread front to rear	30' 0"	(9.14m)

### General Specifications

Water tank capacity	170 gal	(644L)
Hydraulic oil tank capacity with cooler	130 gal	(492L)

### Truck Specifications \*\*+

Weight	22,320 lbs	(10,124kg)
Engine horsepower	405 hp	(302kW)
Wheelbase	331"	(8,407mm)
Cab height	104"	(2,642mm)
Steering radius (outside)	45' 6"	(13.87m)
Steering angle	38°	
Fuel tank capacity	80 gal	(303L)
Transmission	Mack T309 9-Speed	

### Transport Axle Weights \*\*+

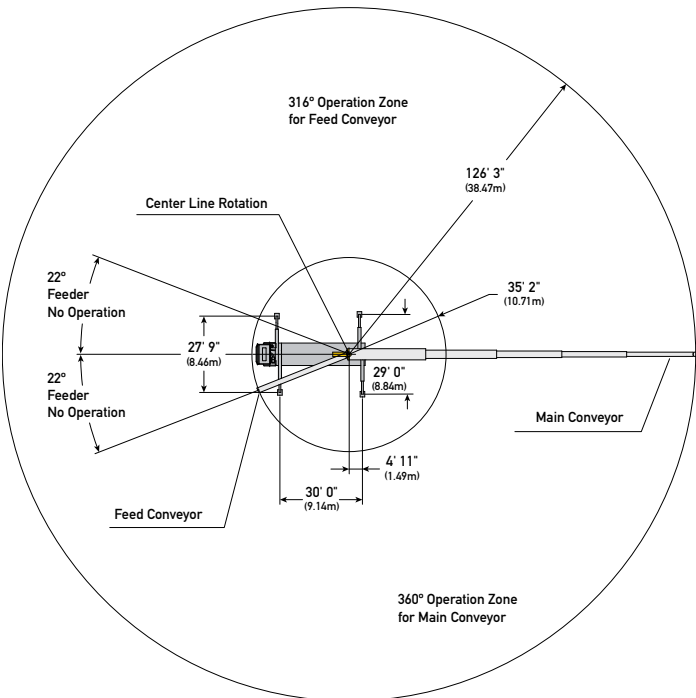
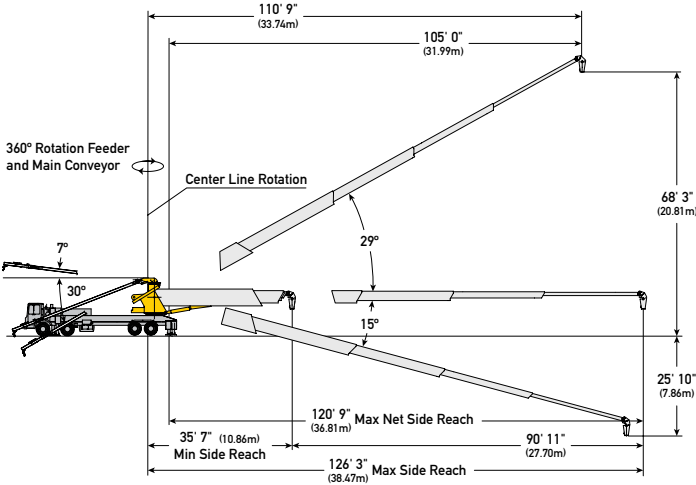
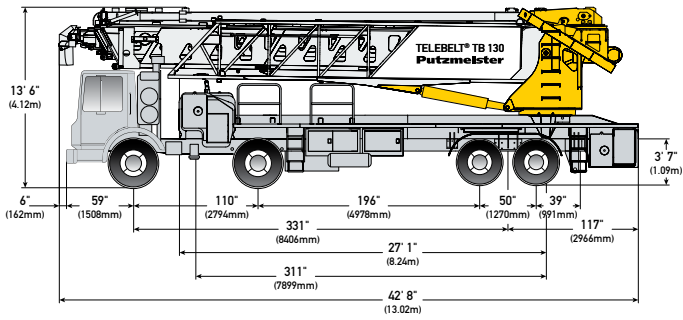
Steering	34,983 lbs	(15,866kg)
Tandem	43,308 lbs	(19,642kg)
Total	78,292 lbs	(35,508kg)

Maximum theoretical values listed.

\* Truck dimensions will vary with different truck makes, models and specifications.

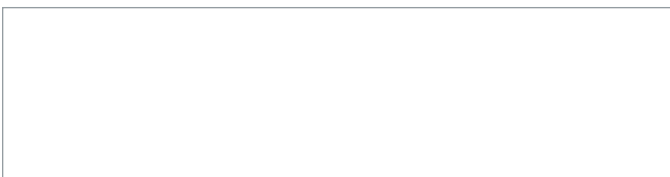
• Weights are approximate and include truck, fuel, and 100 gal (379L) of water.

+ All specifications apply to units mounted on Mack MRU 613.



Photos and drawings are for illustrative purposes only.

Authorized Distributor



Putzmeister America, Inc. Phone (262) 886-3200  
 1733 90th Street Toll-free (800) 884-7210  
 Sturtevant, WI 53177 USA Fax (262) 884-6338

[PutzmeisterAmerica.com](http://PutzmeisterAmerica.com)

[pnr@putzam.com](mailto:pnr@putzam.com)

BT 4653 US



© Putzmeister America, Inc. 2016 Printed in the USA (2.51601)